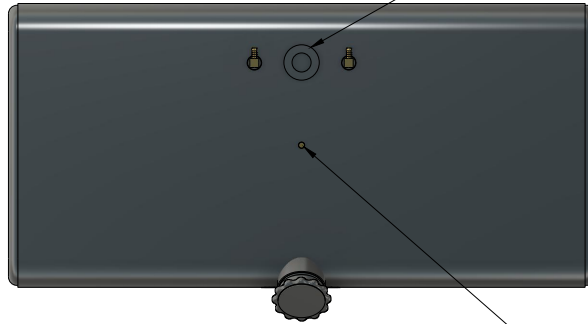


DIRECTORY :

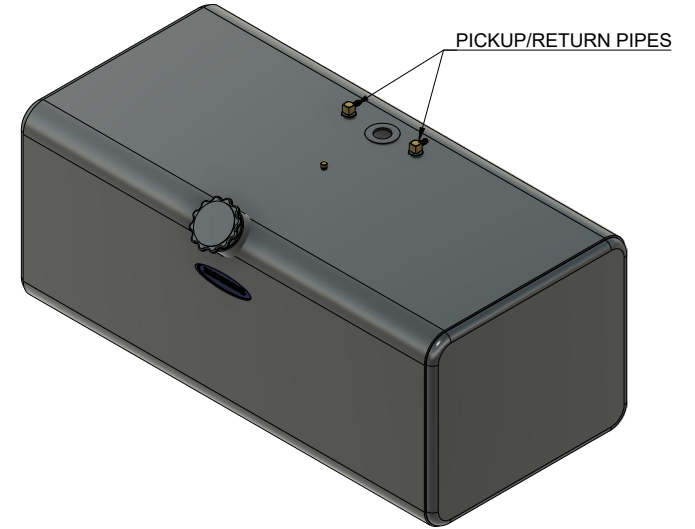
FITTING POSITIONS SHOWN ARE STANDARD. PLEASE INDICATE WITH DIMENSIONS IF REQUIRED IN A DIFFERENT LOCATION. TANK SHOWN IS SUITABLE FOR SCREW TYPE SENDER (WITH PICKUP / RETURN PIPES SEPARATE FROM THE SENDER UNIT).

ISSUE	DETAILS	DATE
A	TO BE APPROVED FOR MANUFACTURE	

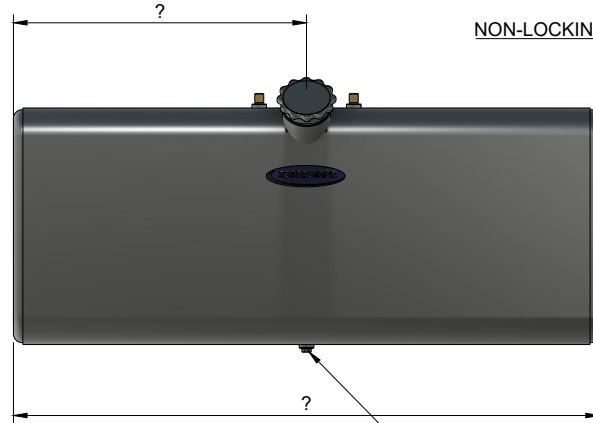
SENDER UNIT MOUNTING PLATE
Plate is supplied blank and will need to be drilled and tapped by customer unless sender is supplied for fitment



BRASS FUEL TANK BREATHER

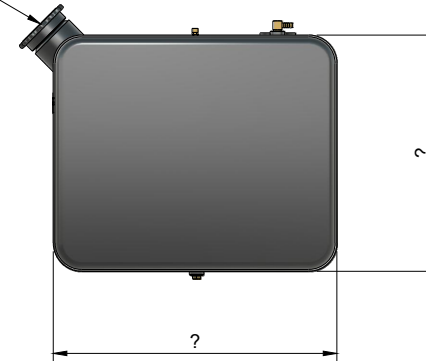


PICKUP/RETURN PIPES



NON-LOCKING ROADRUNNER FUEL CAP

3/8" BSP DRAIN AND BUNG



THIS DRAWING AND/OR ELECTRONIC MEDIA CONTAINING THIS DRAWING REMAIN THE PROPERTY OF ROADRUNNER MANUFACTURING LTD. IT MAY NOT BE COPIED OR USED IN ANY UNORTHERRISED MANNER

ROADRUNNER
ROADRUNNER MANUFACTURING (NZ) LIMITED



CLIENT :

TITLE : Square Fuel Tank Specs - Screw Type Sender

DATE :

SCALE :

DRAWN BY :

Steve Tunnicliffe

STOCK CODE :

JOB NO. :

SHEET :

ISSUE :